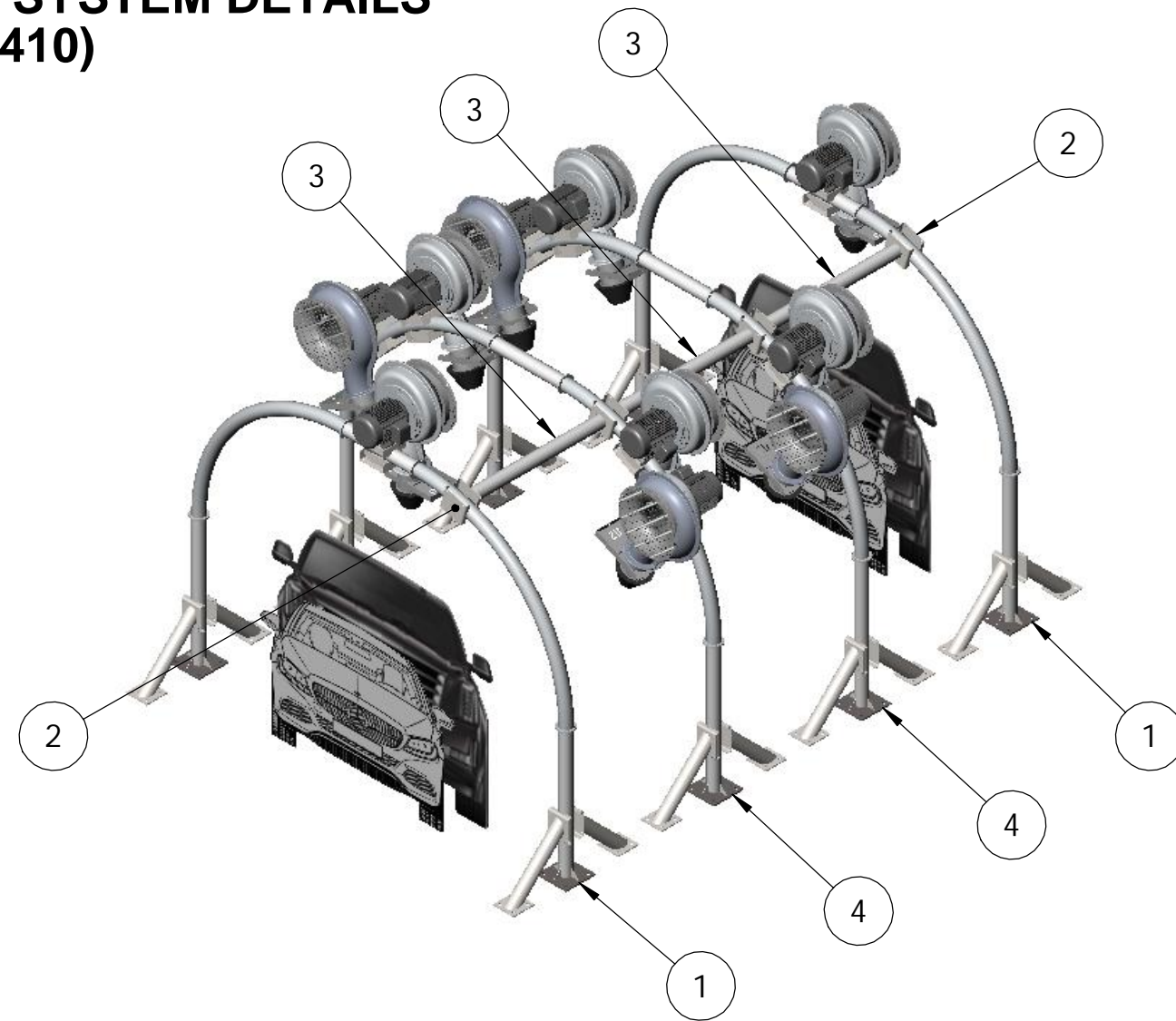
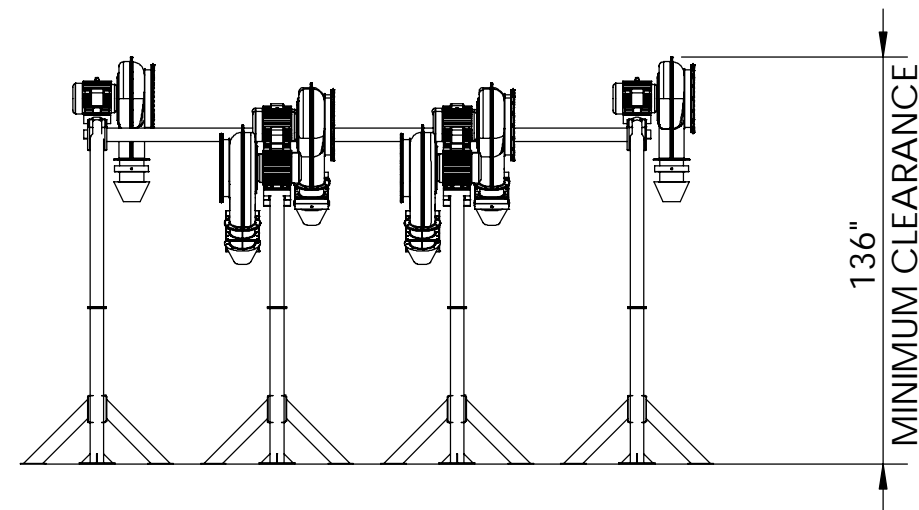
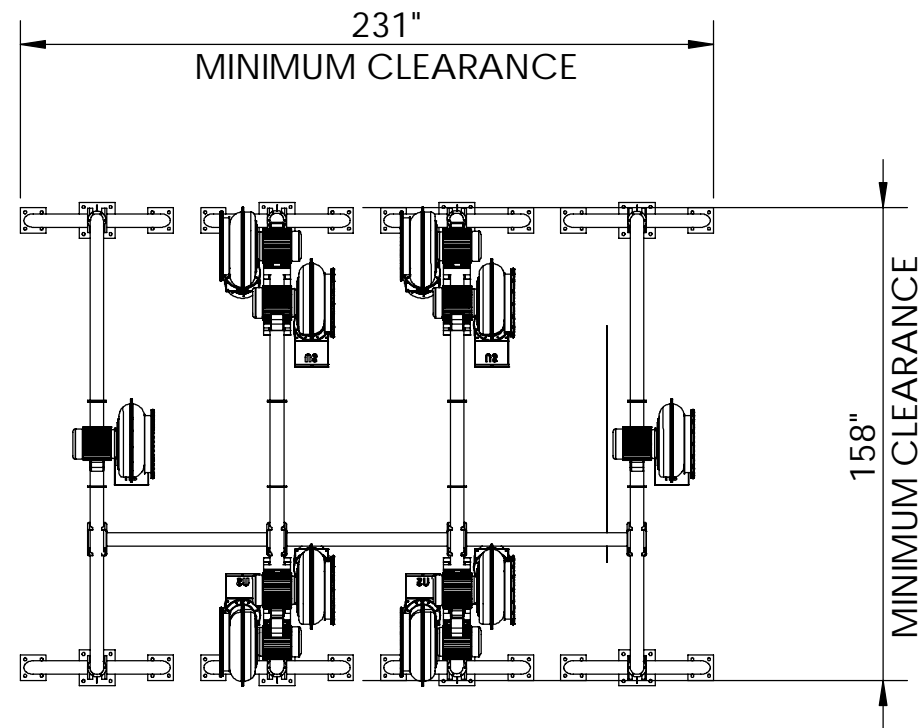


4 ARCH X 10 DRYER SYSTEM DETAILS (237-0410)



| ITEM NO. | PART NUMBER | DESCRIPTION | 237-0410/QTY. |
|----------|-------------|---|---------------|
| 1 | 238-0101 | DRYER ASSEMBLY SYSTEM X 1 | 2 |
| 2 | 799-0028 | CLAMP HALF PIPE 4.5IN | 4 |
| 3 | 789-0008 | CROSSBAR 4.5IN FULL RADIUS ARCH TO ARCH | 3 |
| 4 | 238-0401 | DRYER ASSEMBLY SYSTEM X 4 | 2 |

NOTES: UNLESS OTHERWISE SPECIFIED

1. DRYER SYSTEM WITH (10) TEN DRYERS IS SHOWN IN RECOMMENDED POSITIONS. EACH DRYER IS MULTI-POSITIONAL.
2. REFER TO INVOICE FOR ACCESSORIES AND ELECTRICAL REQUIREMENTS.

CLIENT APPROVAL

NAME AND DATE:

SIGNATURE:

DRAWN BY:

CJ

REV: A

PROJECT TITLE:

ARCH X # DRYER
SYSTEM DETAILS

PROJECT NO.:

237-XXXX