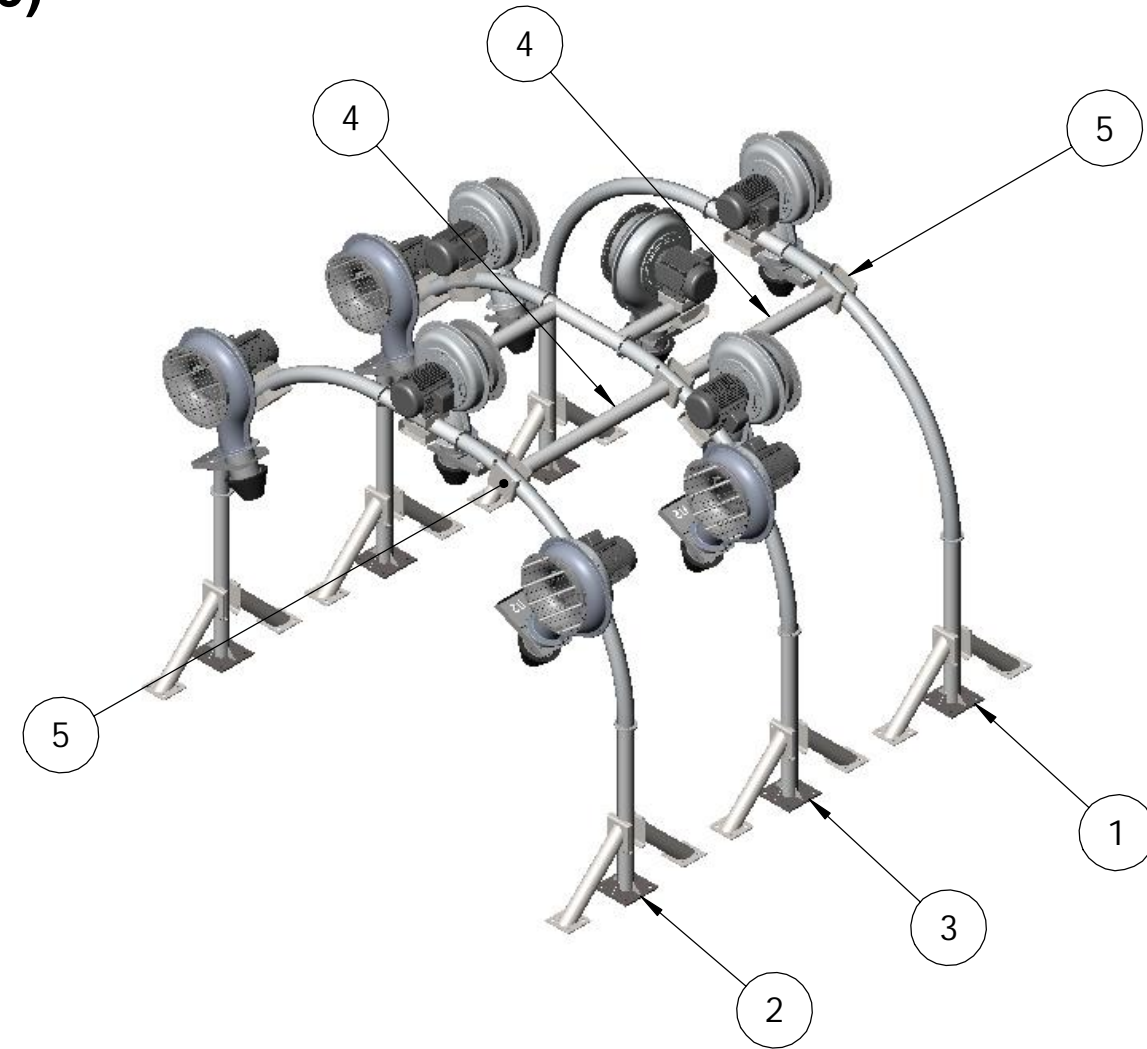
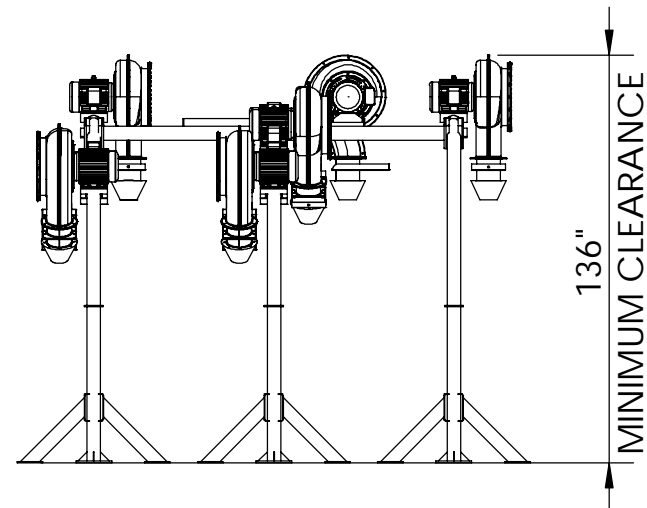
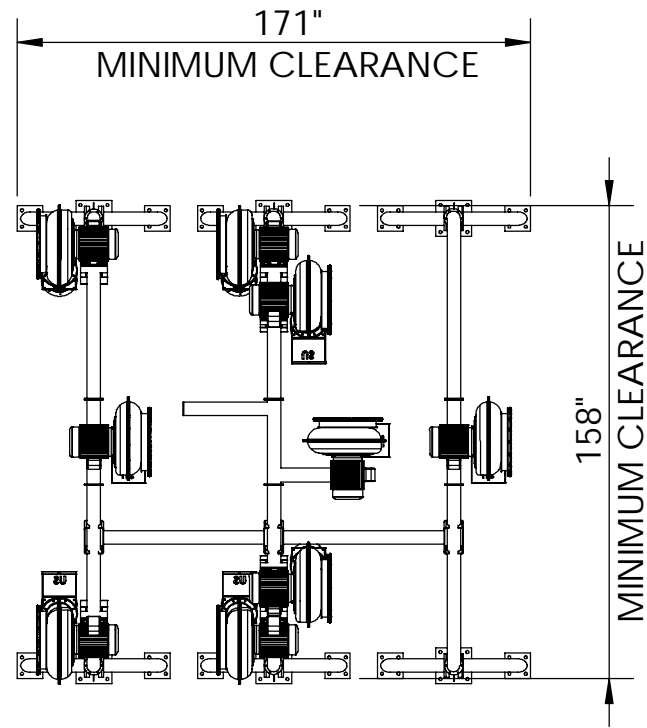


3 ARCH X 9 DRYER SYSTEM DETAILS (237-0309)



ITEM NO.	PART NUMBER	DESCRIPTION	237-0309/QTY.
1	238-0101	DRYER ASSEMBLY SYSTEM X 1	1
2	238-0301	DRYER ASSEMBLY SYSTEM X 3	1
3	238-0501	DRYER ASSEMBLY SYSTEM X 5	1
4	789-0008	CROSSBAR 4.5IN FULL RADIUS ARCH TO ARCH	2
5	799-0028	CLAMP HALF PIPE 4.5IN	3

NOTES: UNLESS OTHERWISE SPECIFIED

1. DRYER SYSTEM WITH (9) NINE DRYERS IS SHOWN IN RECOMMENDED POSITIONS. EACH DRYER IS MULTI-POSITIONAL.
2. REFER TO INVOICE FOR ACCESSORIES AND ELECTRICAL REQUIREMENTS.

CLIENT APPROVAL

NAME AND DATE:

SIGNATURE:

DRAWN BY:

CJ

REV:

A

PROJECT TITLE:
**# ARCH X # DRYER
SYSTEM DETAILS**

PROJECT NO.:
237-XXXX