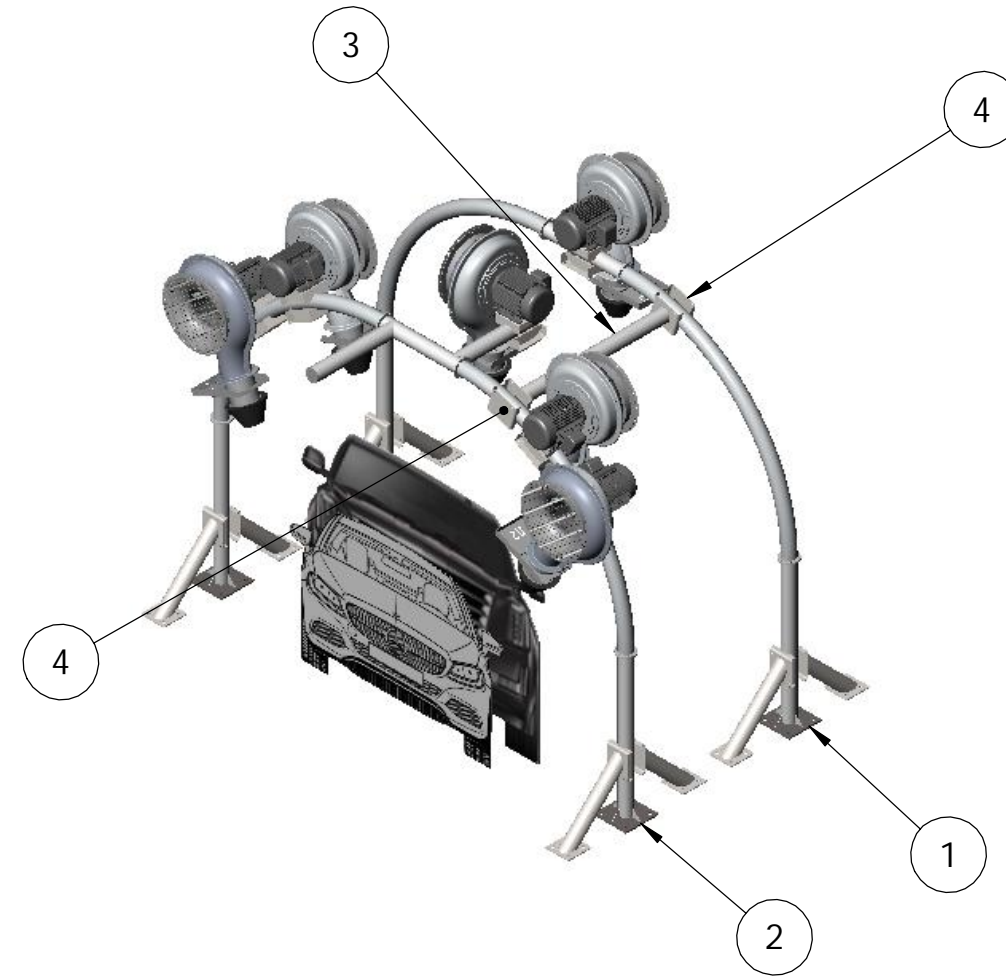
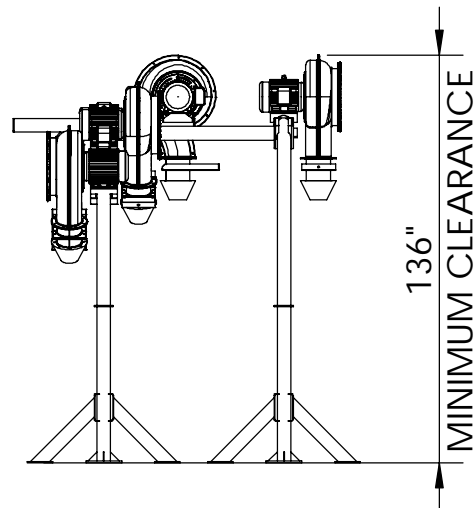
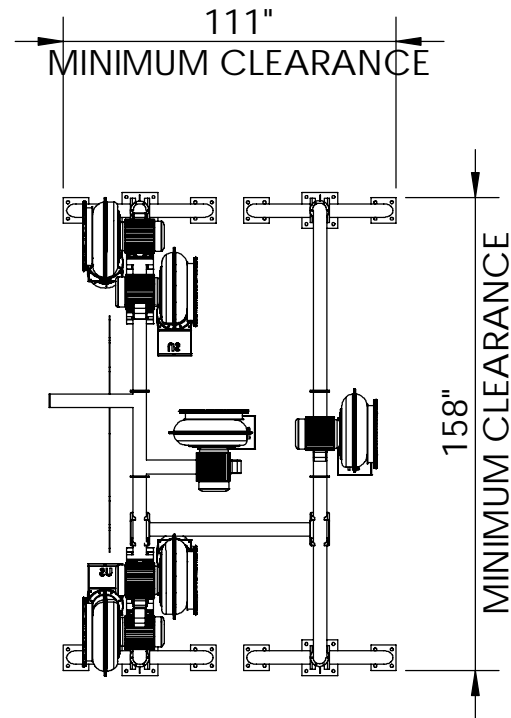


2 ARCH X 6 DRYER SYSTEM DETAILS (237-0206)



ITEM NO.	PART NUMBER	DESCRIPTION	237-0206/QTY.
1	238-0101	DRYER ASSEMBLY SYSTEM X 1	1
2	238-0501	DRYER ASSEMBLY SYSTEM X 5	1
3	789-0008	CROSSBAR 4.5IN FULL RADIUS ARCH TO ARCH	1
4	799-0028	CLAMP HALF PIPE 4.5IN	2

NOTES: UNLESS OTHERWISE SPECIFIED

1. DRYER SYSTEM WITH (6) SIX DRYERS IS SHOWN IN RECOMMENDED POSITIONS. EACH DRYER IS MULTI-POSITIONAL.
2. REFER TO INVOICE FOR ACCESSORIES AND ELECTRICAL REQUIREMENTS.

CLIENT APPROVAL

NAME AND DATE:

SIGNATURE:

DRAWN BY:

CJ

REV:

A

PROJECT TITLE:

**# ARCH X # DRYER
SYSTEM DETAILS**

PROJECT NO.:

237-XXXX