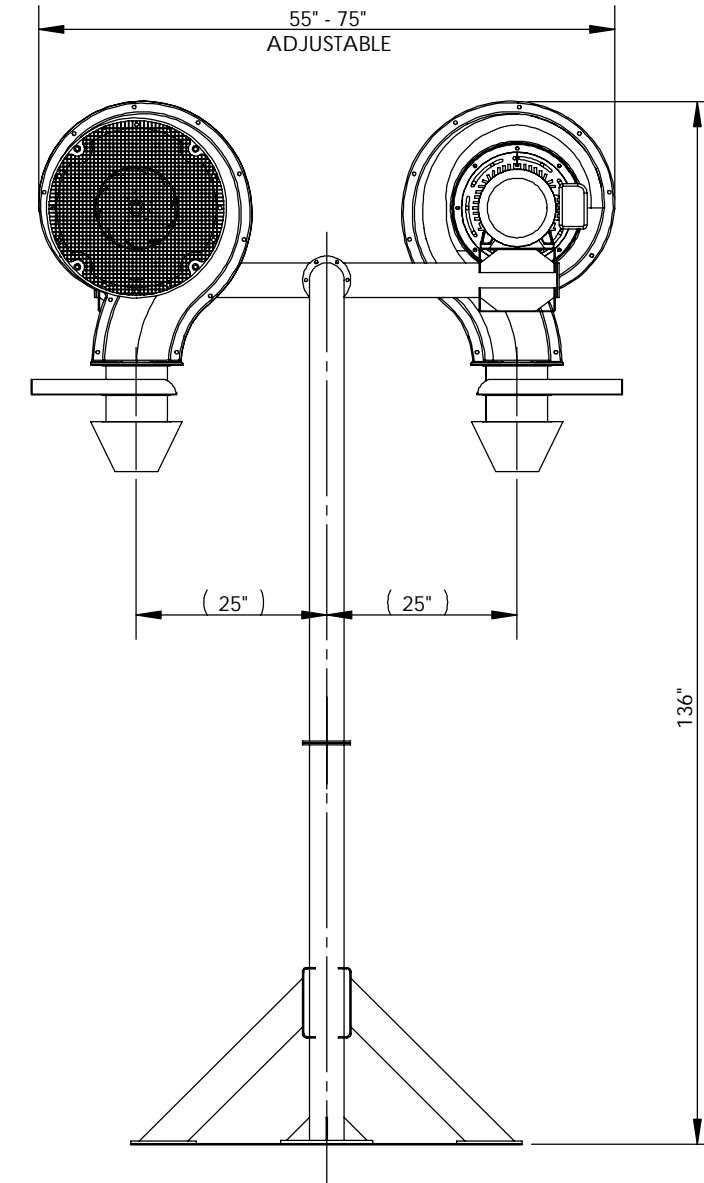
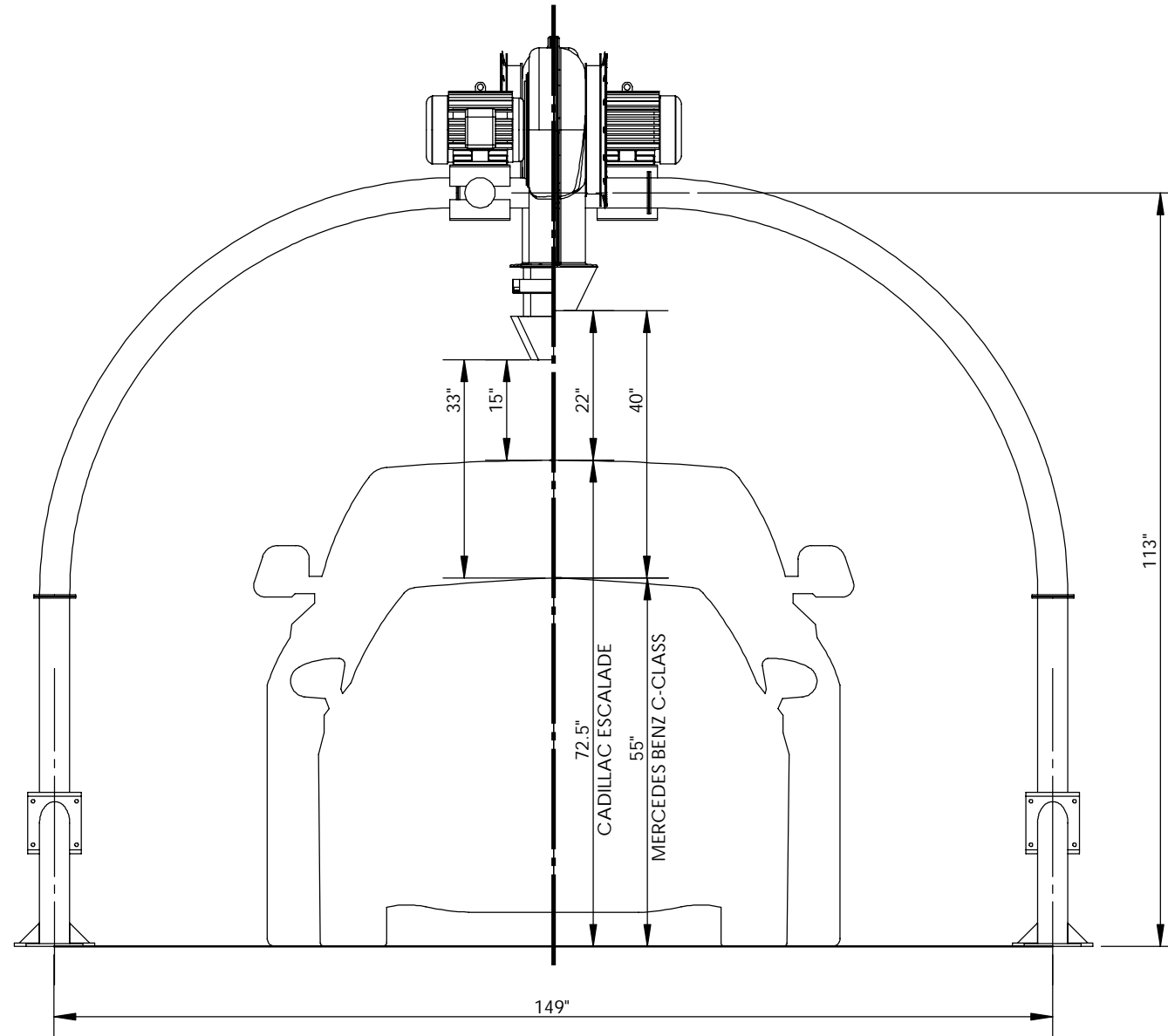


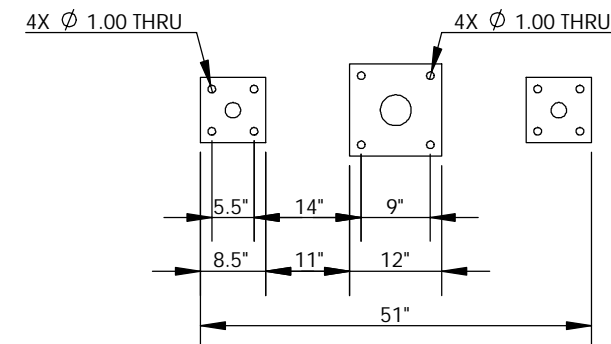
# 2X DRYER SYSTEM ASSEMBLY WITH GATE VALVE

# 2X DRYER SYSTEM ASSEMBLY



- NOTES: UNLESS OTHERWISE SPECIFIED
1. DIMENSIONS SHOWN MAY VARY BASED ON VEHICLE MODEL. VEHICLES SHOWN ARE FOR REFERENCE ONLY.
  2. DRYER SYSTEM WITH (2) TWO DRYERS ARE SHOWN IN RECOMMENDED POSITIONS. EACH DRYER IS MULTI-POSITIONAL.

## FOOTING DETAIL



888-628-8682  
www.autovacinc.com  
sales@autovacinc.com

CLIENT APPROVAL

NAME AND DATE:

SIGNATURE:

DRAWN BY: DM

REV: A

PROJECT TITLE:  
**DRYER SYSTEM ASSEMBLY**

PROJECT NO.:  
**238-020X**